

## AMC-1AD1/2 Series Single/Dual Zone Monitor

The AMC-1AD Series Gas Monitor provides a highly economical monitoring package for multipoint vehicle exhaust monitoring applications.

Incorporating micro-controller based design; it provides accuracy, durability, and ease of use within a compact package. The AMC-1AD Series Monitor works with any combination of AMC-122X Series sensor modules, with up to 8 modules per zone.

The monitor delivers low cost and versatility, turning even the simplest job into big savings. It incorporates a robust enclosure designed to provide years of trouble free operation.

### SPECIFICATIONS

**Enclosure:** ASA 61 gray enameled 16 gauge steel  
Nema 4X Fiberglass (Optional)

**Supply Voltage:** 120 VAC, 60 Hz

**Dimensions:** 20.32cm H x 20.32cm W x 12.70cm D  
(8" x 8" x 5")

**Weight:** 4.54 kg (10 lb)

**Operating Temperature:** -20°C to 40°C (-4°F to 104°F)

**Storage Temperature:** -40°C to 65°C (-40°F to 149°F)

**Monitor Warranty:** Two years

**Relay Contacts:** 2 or 4 DPDT 10A @ 250 VAC Res.

**Alarm Thresholds:** Set at Sensor Modules

#### Indicators (per Zone):

Red LED – Alarm

Yellow LED – Warning

Green LED

- LED On – Run
- LED Flashing – Fault
- LED Off – Off

**Recommended Mounting Height:** 4-5 ft. A.F.F.



### Features

Alarms disabled during warm up

System test switch

User selectable:

- Activation delays, five minutes for Warning and/or Alarm set points
- Minimum Run Timer
- 95 dBa Audio alarm with Warning and/or Alarm set points

Hinged door

Optional latching relays with manual reset

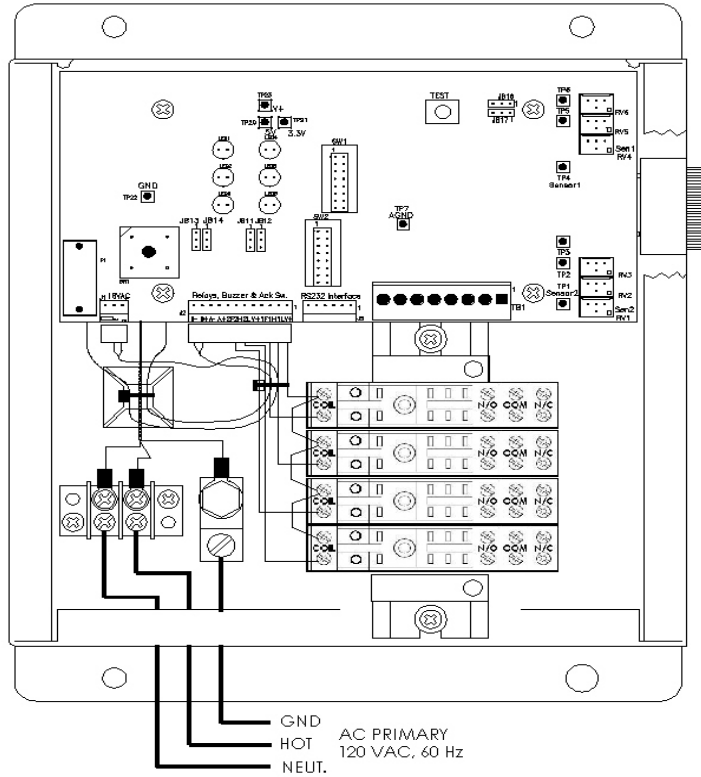
Optional enclosure key lock

**Available VFD Output Option**

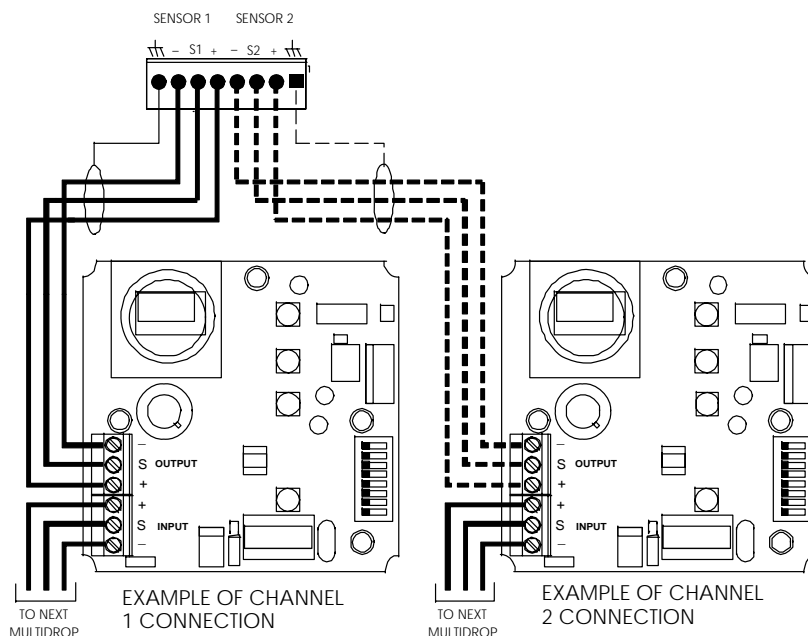
**BUILT WITH 100% GREEN ELECTRICITY**



### AMC-1AD Series Internal View



### AMC-1AD Sensor Wiring



## AMC-122X Series Multi Drop Gas Sensor Modules

For gas monitoring applications requiring a large number of sensors, installation costs represent a significant share of total project expenses. In an effort to lower these costs, AMC developed the AMC-122X Series multi drop gas sensor module.

Compatible with the AMC 1AD1/D2 Series, as well as the AMC-1400 and 1800, sensors are wired in series utilizing low power, three wire cabling. Dual wiring inputs on some models, combined with multi zone capabilities, permit a nearly unlimited range of configurations, thereby minimizing both installation time and materials.

Up to eight AMC-122Xs of different sensor types can be connected to a single zone with a maximum of 150ft between sensors and panel. Power supplies can be upgraded allowing more sensors per zone making the AMC-122X Series an economical solution to your gas monitoring needs.



**BUILT WITH 100% GREEN ELECTRICITY**

Part Number	AMC-1222	AMC-1225	AMC-1228-20	AMC-1228-28
<b>Detectable Gas(es)</b>	CO & NO <sub>2</sub>	Combustible Gas	CO	NO <sub>2</sub>
<b>Sensor Type</b>	Electrochemical	Solid State	Electrochemical	Electrochemical
<b>Range</b>	0-100 ppm CO/0-3 ppm NO <sub>2</sub>	0-50% LEL	0-100 PPM	0-10 PPM
<b>Sensor Warranty</b>	CO – 3 Years NO <sub>2</sub> – 1 Year	2 Years	3 Years	1 Year
<b>Standard Trip Points</b>	25/100 ppm CO 1/3 ppm NO <sub>2</sub>	20/40 % LEL	25/100 ppm	1/3 ppm
<b>Installation Wiring</b>	3 Wire 18 AWG Shielded			
<b>Dimensions</b>	10.2 cm H x 10.2 cm W x 6 cm D (4" W x 4" H x 2.25" D)			
<b>Operating Temperature</b>	-20°C to 40°C			
<b>Operating Humidity</b>	15-90% RH Non Condensing			
<b>Coverage Area</b>	50' Radius	25' Radius	50' Radius	50' Radius
<b>Replacement Sensor(s)</b>	AMC-91AD / AMC-98AC	AMC-F4168E	AMC-91AD	AMC-98AC

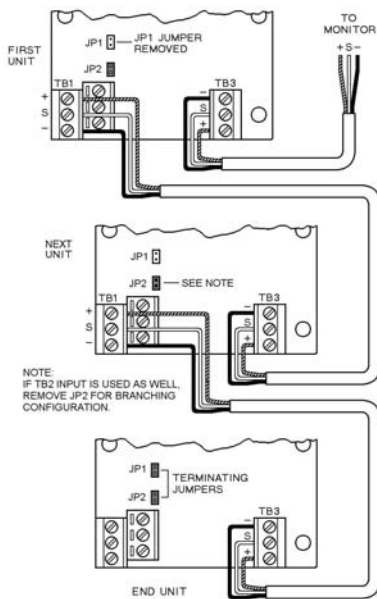
### Comfort Zone Technology

Unique to the AMC-1222, our "Comfort Zone" technology utilizes an interactive logic function with a simple user interface to allow incremental sensitivity adjustments without the need for recalibration, in order to optimize indoor air quality and occupant comfort.



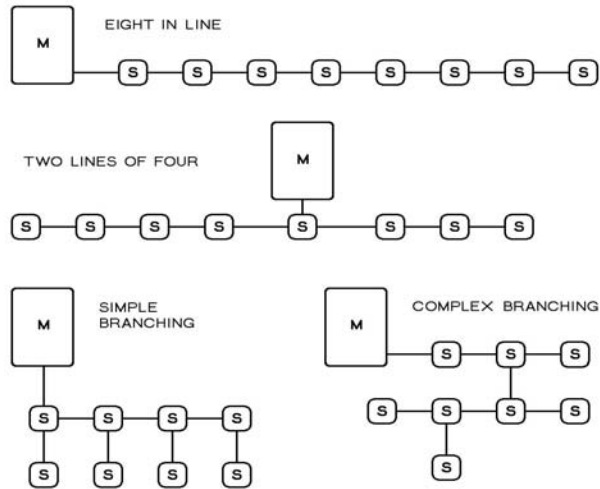
## AMC-122X SERIES WIRING DIAGRAMS

### Wiring for AMC-1228 & 1225

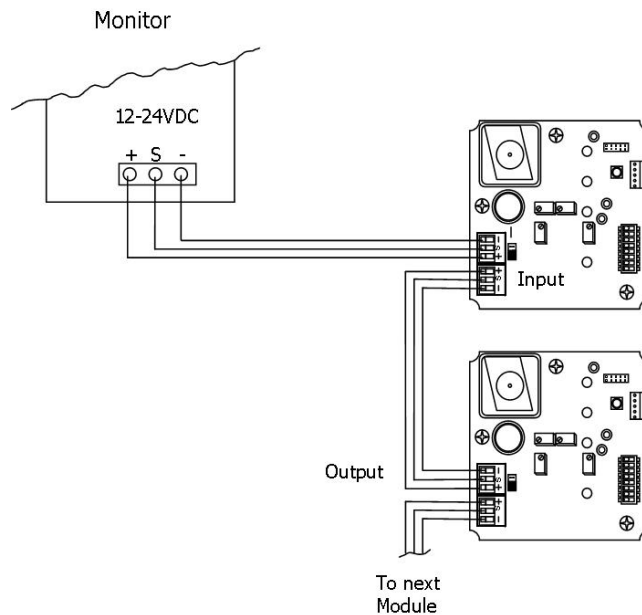


TYPICAL SYSTEM CONFIGURATIONS FOR ONE MONITOR AND 8 SENSORS.

LEGEND:  
M = MONITOR  
S = SENSOR MODULE



### Wiring for AMC-1222 (CO & NO<sub>2</sub>)



Up to 8 1222 Modules  
can be Daisy Chained  
Max 150ft 18AWG  
Between each Module

